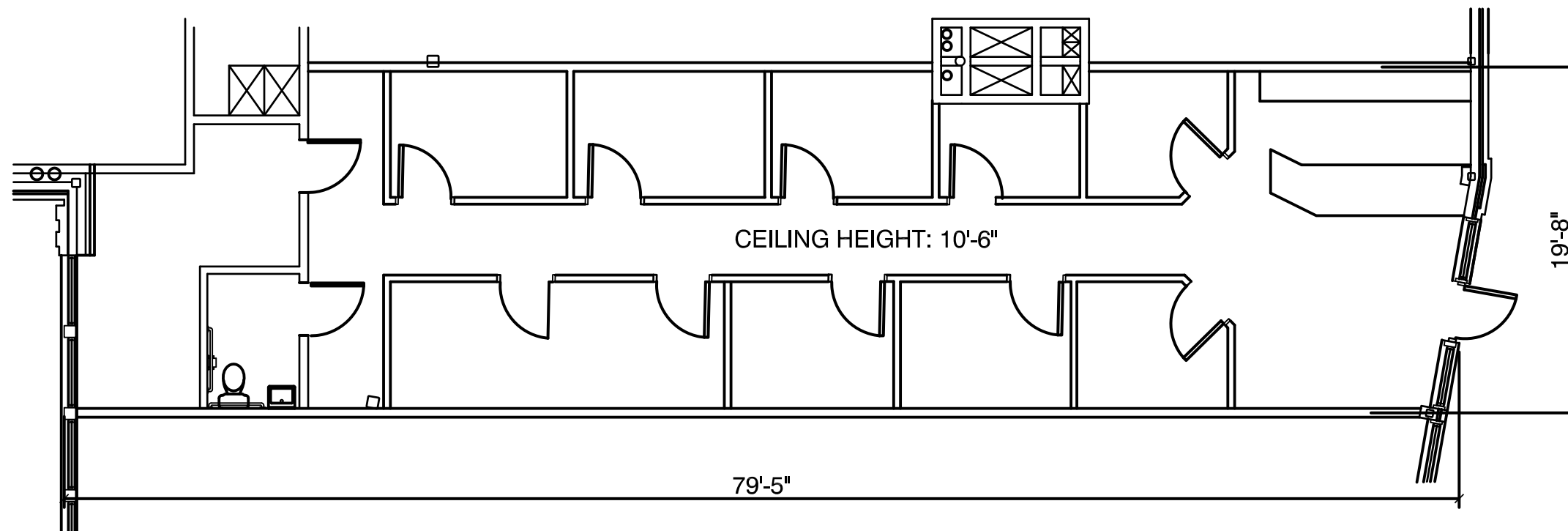


EXCEPT WITH RESPECT TO THE OBLIGATIONS OF LANDLORD WHICH ARE EXPRESSLY PROVIDED IN THE LEASE, LANDLORD HAS MADE NO AGREEMENT, REPRESENTATION OR WARRANTY WITH RESPECT TO THE STATUS OR EXISTENCE OF ANY LEASE, OCCUPANCY OR USAGE OF ANY SPACE, OR THE EXISTENCE, DESIGN OR LOCATION OF ANY BUILDINGS, IMPROVEMENTS, PARKING AREAS, CURB CUTS, DRIVES OR OTHER COMMON AREAS WITH RESPECT TO THE SHOPPING CENTER OR ANY OUTPARCELS OR OTHER PROPERTY. LANDLORD BELIEVES THAT THE INFORMATION CONTAINED WITHIN THIS DRAWING IS PRESENTLY CORRECT, BUT LANDLORD MAKES NO WARRANTY, REPRESENTATION OR GUARANTEE AS TO ITS ACCURACY OR WHETHER IT WILL REMAIN AS CONFIGURED, AND LANDLORD RECOMMENDS THAT ALL INFORMATION BE FIELD VERIFIED PRIOR TO DESIGN AND CONSTRUCTION.



THE TERRACES AT WINDWARD: SUITE X3 - FLOOR PLAN

3070 WINDWARD PLAZA
ALPHARETTA, GA.

1,515 SF
SCALE: 1/8"=1'-0"

DRAWN BY: D.ROBINSON

DATE: 11/12/13



1100 SPRING STREET NW SUITE 550
ATLANTA, GEORGIA 30309-2848
TEL (404) 876-5511 FAX (404) 875-2629

USER: drobinson - Nov 12, 2013 - 1:30pm
S:\CONSTRUCTION\AutoCAD\As_Built Drawings\Retail\The Terraces at Windward\LODs\Terraces at Windward Suite X3.dwg