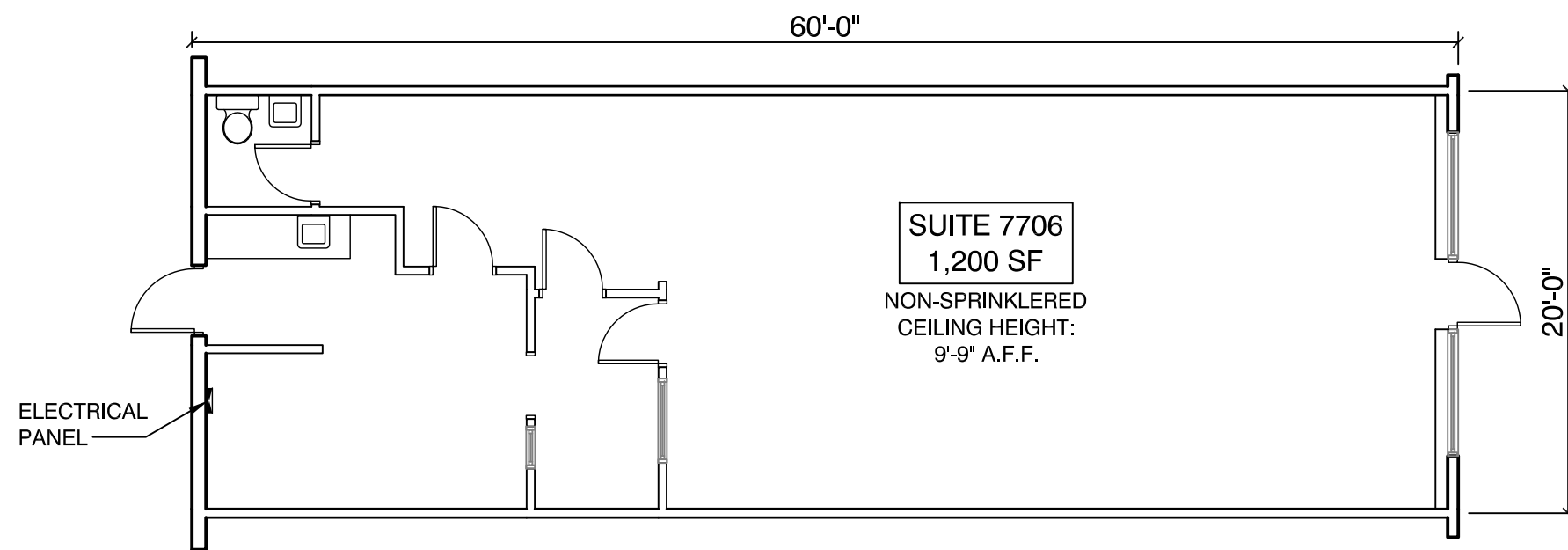


WHILE SELIG ENTERPRISES, INC. BELIEVES THE INFORMATION CONTAINED WITHIN THIS DRAWING TO BE CORRECT, WE MAKE NO WARRANTY OR GUARANTEE AS TO ITS ACCURACY. IT IS RECOMMENDED THAT ALL INFORMATION BE FIELD VERIFIED PRIOR TO DESIGN AND/OR CONSTRUCTION.



SPALDING CORNERS: SUITE 7706 - FLOOR PLAN

7706 SPALDING DRIVE
NORCROSS, GA. 30092

DRAWN BY: KA DATE: 09/24/15



1100 SPRING STREET NW SUITE 550
ATLANTA, GEORGIA 30309-2848
TEL (404) 876-5511 FAX (404) 875-2629